



fig. ../0.100



fig. ../5-R

Signal transmitter room mounting SGRT

as position transmitter with output signal 0...10 Vdc
 Adjustment scale 0...100% or threshold arrows blue-red
 direction selectable (da = direct acting / ia = inverse action)
 Housing: 75 x 75 x 27 mm, IP30

Technical data

Electrical	Power supply Power consumption Output	24 Vac/dc (21,6...26,4 V) < 1 VA 0...10 Vdc, max. 2 mA
Functions	Adjustment scale Output terminal 3 Output terminal 4	SGRT/0.100 = Threshold arrows 0...100 % SGRT/5-.. = Threshold arrows blue-red (- = 0V / o = 5V / + = 10V) da = 0...10 Vdc ia = 10...0 Vdc.
Safety	Protection type / class EMC CE conformity Ambient temperature Ambient conditions Permitted relative humidity	IP30 / III (SELV) EN 55011:2011-04, 55011-103:2013-02 according to 2014/30/EU operation 0...50 °C; storage -10...+70 °C normally polluted air max. 95% RH, no condensation
Mechanical	Connection technology Housing Cover: color Weight	screw terminals 2,5 mm ² ABS 75 x 75 x 27 mm, socket PC (black) pure white like RAL9010, SGRT5 also pearl white like RAL1013 about 75 g

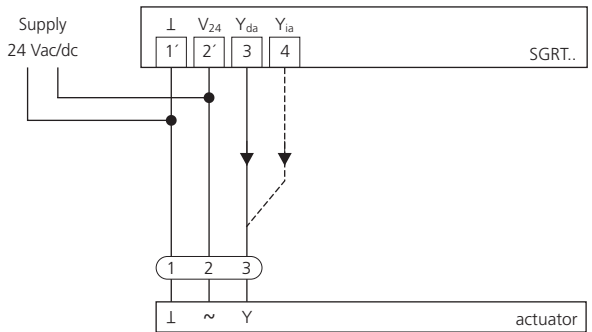
Product features

Application	For control of continuous actuators, VAV-systems and Ventilation unit's in HVAC systems
Function	2 continuous output 0...10 Vdc (da) and 10...0 Vdc (ia)
Power supply	24 Vac/dc

Order information

Item number	signal	adjustment scale	description
SGRT/0.100	0...10 Vdc	0...100 %	pure white
SGRT/5-R	0...10 Vdc	Threshold arrows	pure white, middle position 5 V ± 5 V
SGRT/5-P	0...10 Vdc	Threshold arrows	pearl white, middle position 5 V ± 5 V

Connection diagram SGRT



Parallel connection of other actuators possible. Note power data!

Function diagramm SGRT/0.100

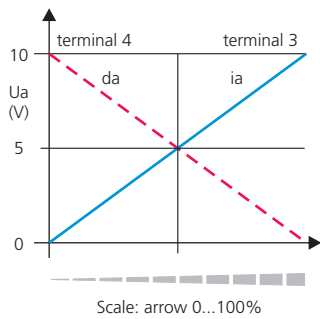
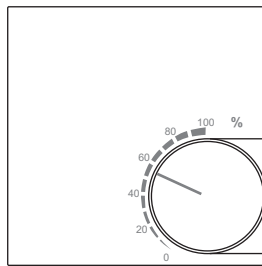


figure SGRT/0.100



Function diagramm SGRT/5-..

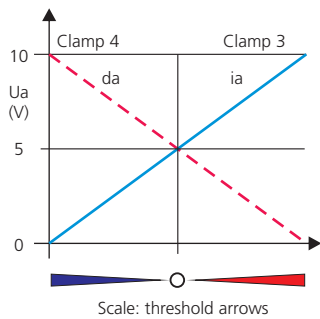
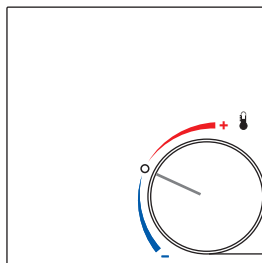
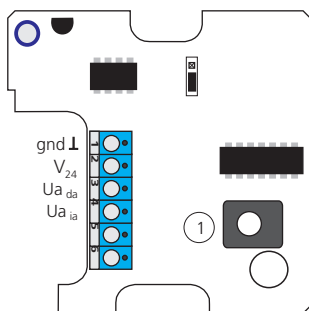


figure SGRT/5-..

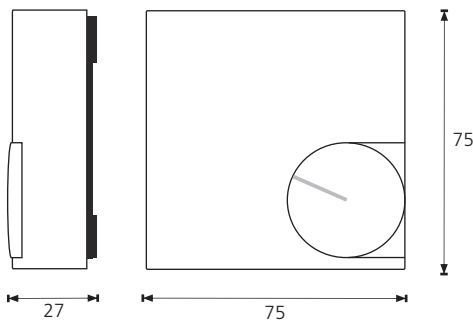


Circuit Board



① Signal range

Dimensions and drilling plan



- Remove adjustment knob
- Set stops to temperature range
- Replace adjustment knob
- Check stops