



fig. RSBC.O/0.40

## Temperature controller for switchboard mounting change-over RSBC.O

continuous output with settable P-Band  
 for external sensor Djadun F../11  
 direction with external contact switchable, heating or cooling  
 signal limiter for minimal or maximal flap opening  
 Housing: front frame 48 x 48 mm, circuit board in open construction

### Technical data

Electrical data	Power supply power consumption Output	24 Vac/dc (21,6...26,4 V) < 1 VA 0...10 Vdc, max. 2 mA (switchable to 10...0 V with ext. contact) with signal limiter for minimum or maximum flap opening
Functions	Adjustment range Directional switch K / H change-over switch Setpoint correction SK P-Band XP Temperature probe	see order information K = (da) tR increases - Y increases, H = (ia) tR increases - Y decreases terminal 6-7 open = cooling, terminal 6-7 close = heating ±5 K, adjustable internally 1...8 K (factory setting FS 2 K) external temperature sensors Djadun (series F..11)
Safety	Protection type / class EMV CE conformity Ambient temperature ambient conditions Permitted relative humidity	IP42 in front of Switchboard, circuit board IP00 / III (SELV) EN 55011:2011-04, 55011-103:2013-02 according to 2014/30/EU operation 0...50 °C; storage -10...+70 °C normally air polluted max. 95% RH, no condensation
Mechanical	connection technology Housing Weight	screw terminal 2,5 mm <sup>2</sup> front frame 48 x 48 mm, ABS (black) about 60 g

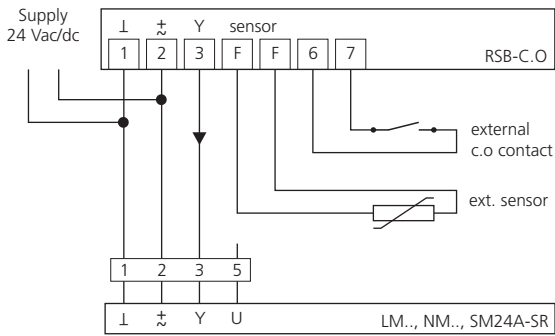
### Product features

Application	For control of continuous actuators in HVAC systems.
Control function	1 continuous output with proportional function
Control signal	0...10 Vdc with change-over function (heating or cooling) c.o switch with external switching contact signal limiter for minimum or maximum flap opening
Power supply	24 Vac/dc, or direct by actuators for example N../L../SM230ASR, DM2.2

### Order information

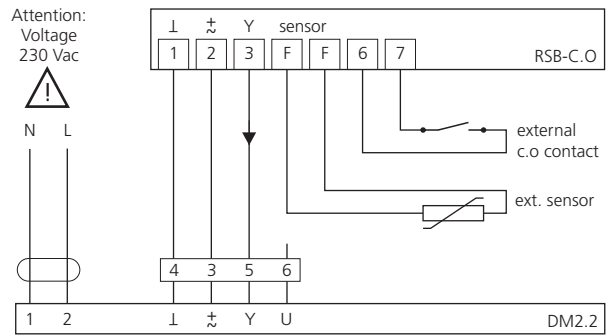
Item number	signal	range	Variant
RSBC.O/0.40	0...10 Vdc	0...40 °C	for external sensor
RSBC.O/20.80	0...10 Vdc	20...80 °C	for external sensor
accessories	description		
ZR-08 024009	Empty housing for the installation of RS.., for protected mounting for wall mounting, IP44		
ZR-08 024019	protective housing for RS.. for mechanical protection of circuit board in control cabinet		

### Connection diagram 24 V actuators



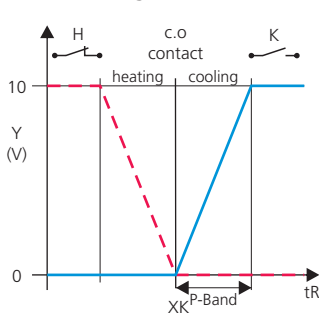
Parallel connection of other actuators possible. Note power data!

### Connection diagram DM2.2

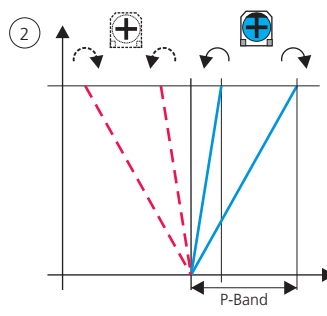


Parallel connection of other actuators possible. Note power data!

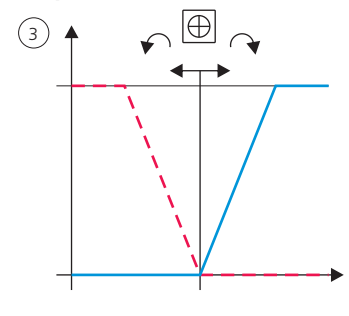
### Function diagram RSBC.O



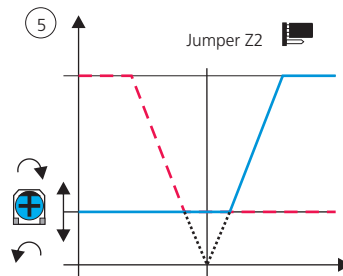
### P-Band XP



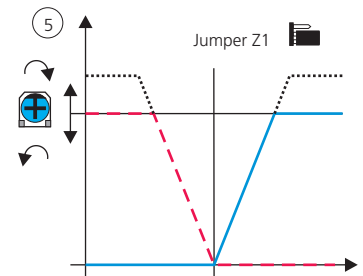
### Setpoint correction SK



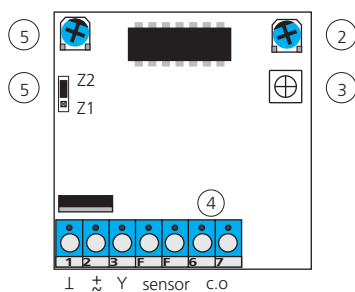
### Min.-limiter



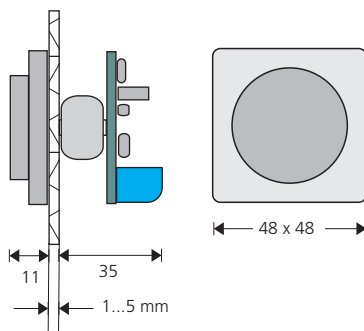
### Max.-limiter



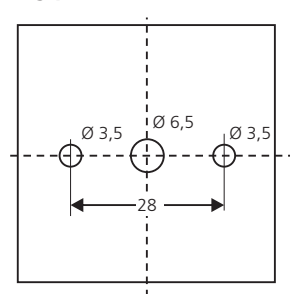
### Circuit Board <ccb: A4091...>



### Dimensions



### Drilling plan



- ① Setpoint adjustment XK
- ② P-Band XP
- ③ setpoint or sensor correction
- ④ switch terminal H / K
- ⑤ Min.-Max.-limitation Y-signal



- Remove adjustment knob
- Set stops to temperature range
- Replace adjustment knob
- Check stops