



fig. RWA2/...



fig. RWA2/0.40-A4015

## Temperature controller for wall mounting RWA2/RWB2

continuous output with settable P-Band  
 internal or external sensor Djadun F../11  
 direction switchable, heating or cooling (FS)  
 Housing: 80 x 80 (95) x 46 mm, IP54

RWB2: with signal limiter for minimal or maximal flap opening

### Technical data

Electrical data	Power supply Power consumption Output RWT A2 Output RWT B2	24 Vac/dc (21,6...26,4 V) < 1 VA 2...10 Vdc, max. 2 mA 0...10 Vdc, max. 2 mA, with signal limiter for minimum or maximum flap opening
Functions	Adjustment range Directional switch H / K Setpoint correction SK P-Band XP Temperature probe	see order information K =(da) tR increases - Y increases, H =(ia) tR increases - Y decreases ±5 K, adjustable internally 1...8 K (factory setting FS 2 K) integrated or external sensor Djadun (series F..11)
Safety	Protection type / class EMC CE conformity Ambient temperature	IP54 / III (SELV) EN 55011:2011-04, 55011-103:2013-02 according to 2014/30/EU operation 0...50 °C; storage -10...+70 °C
Mechanical	connection technology Housing cable entry  setting knob Weight	screw terminal 2,5 mm <sup>2</sup> 80 x 80 (95) x 46 mm, aminoplastic halogen free (grey) 2 x perforation membrane M16 mounted, or with accessories ZR-KV16-S10 cable glands M16 (please order separately) see mounting instruction collet chuck knob (P2) ! about 170 g

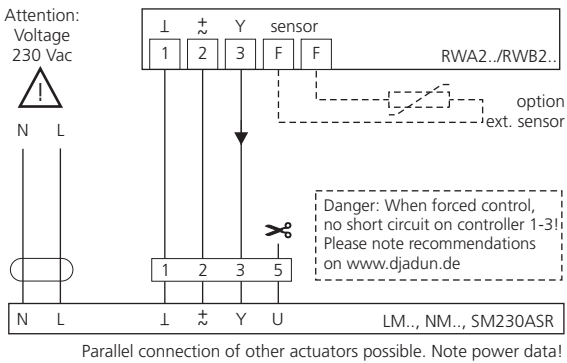
### Product features

Application	For control of continuous actuators in HVAC systems or in harsh ambient conditions (industrial facilities, compressor rooms)
Control function	1 continuous output with proportional function
Control signal	RWA2/.., 2...10 Vdc, direction switchable heating or cooling (FS) RWB2/.., 0...10 Vdc, with signal limiter for minimum or maximum flap opening
Power supply	24 Vac/dc, or direct by actuators for example N../L../SM230ASR, DM2.2

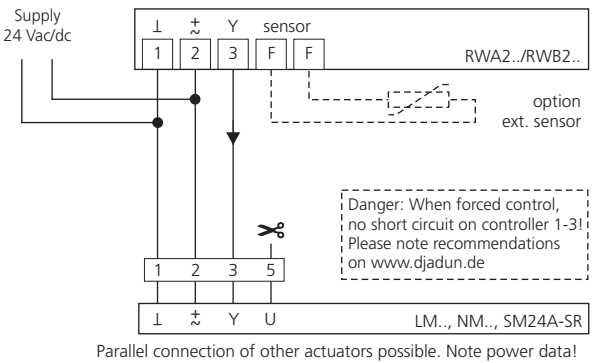
### Order information

Item number	signal	range	Variant
RWA2/0.40	2...10 Vdc	0...40 °C	for external sensor
RWA2/20.80	2...10 Vdc	20...80 °C	for external sensor
RWA2/-20.40	2...10 Vdc	-20...40 °C	for external sensor
RWB2/0.40	0...10 Vdc	0...40 °C	for external sensor
RWB2/20.80	0...10 Vdc	20...80 °C	for external sensor
RWB2/-20.40	0...10 Vdc	-20...40 °C	for external sensor
RWA2../..	RWB2../..-4015		internal sensor
RWA2../..	RWB2../..-4086		internal adjustment, internal sensor (für public traffic)
RWA2../..	RWB2../..-4005		internal adjustment, for external sensor (für public traffic)

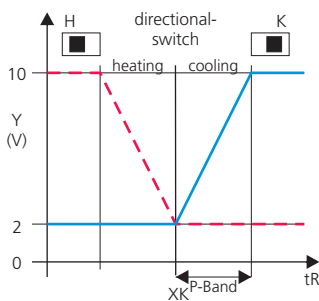
### Connection diagram L., N., SM230ASR



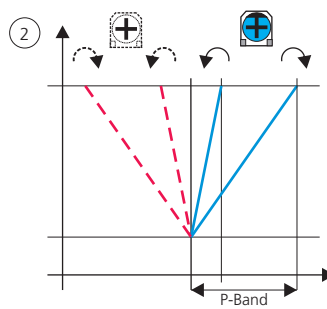
### Connection diagram 24 V actuators



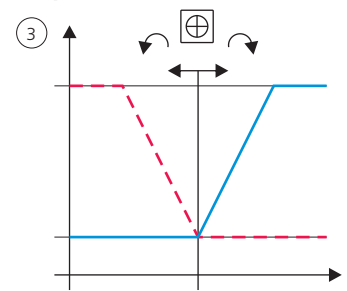
### Function diagram RWA2



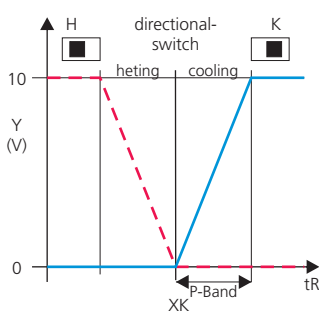
### P-Band XP



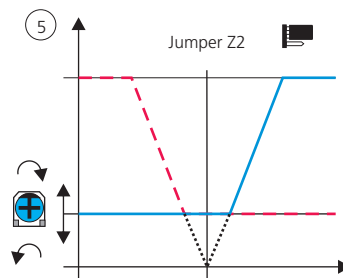
### Setpoint correction SK



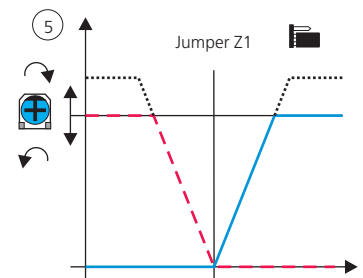
### Function diagram RWB2



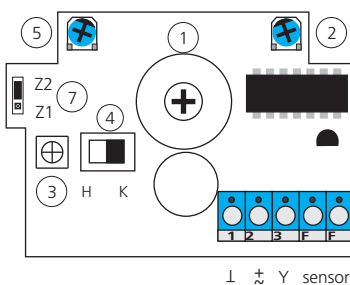
### Min.-limiter RWB2



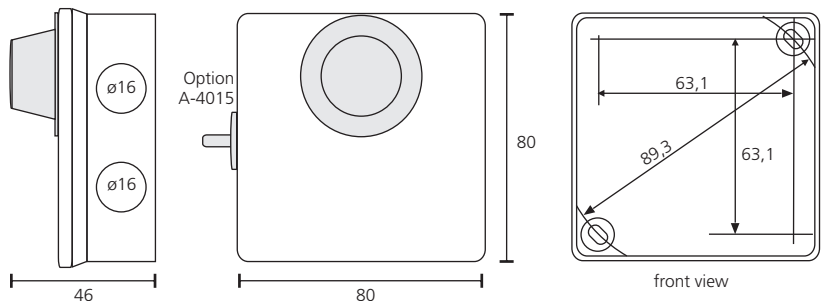
### Max.-limiter RWB2



### Circuit Board <ccb: DJ-RWA.03>



### Dimensions



- ① Setpoint adjustment XK
- ② P-Band XP
- ③ setpoint or sensor correction
- ④ direction switch H / K
- ⑤ Min.-Max.-limitation Y-signal (RWB2)
- ⑦ Switch-Jumper Min./Max. (RWB2)

**Mounting instructions: collet chuck knob**

- Remove the cover collet chuck knob
- arrange mark of button on indentation of readout axis
- collet chuck tighten (socket key 10 mm)
- Replace cover