



fig. RWTA2/...



fig. RWTA2/21.5-C3-H

Room controller Wall mounting RWTA2/RWTB2

continuous output signal with settable P-Band
integrated moisture tight room sensor
direction switchable, heating or cooling (FS)
Housing: 80 (90) x 82 (115) x 46 mm, IP54

RWTB2: signal limiter for minimum or maximum flap opening

Technical data

Electrical	Power supply Power consumption Output RWTA2 Output RWTB2	24 Vac/dc (21,6...26,4 V) < 1 VA 2...10 Vdc, max. 2 mA 0...10 Vdc, max. 2 mA, with signal limiter for minimum or maximum flap opening
Functions	Adjustment range Directional switch H / K Setpoint correction SK P-Band XP Temperature probe	see order information, internal adjustment scale H =(ia) tR increases - Y decreases, K =(da) tR increases - Y increases ±5 K, adjustable internally 1..8 K (Factory Setting FS 2 K) integrated moisture tight room sensor
Safety	Protection type / class EMC CE conformity Ambient temperature	IP54 / III (SELV) EN 55011:2011-04, 55011-103:2013-02 according to 2014/30/EU operation 0...50 °C; storage -10...+70 °C
Mechanical	Connection technology Housing Cable entry Weight	screw terminal 2,5 mm ² 80 (90) x 82 (115) x 46 mm, PC halogen free (grey) cable gland M20 x 1,5 or C3.. with double membrane (M20) in back wall about 190 g

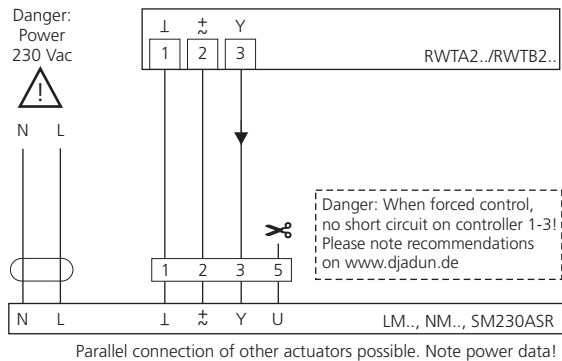
Product features

Application	For control of continuous E-Heaters, actuators and Ventilation unit's in HVAC systems and Marine sector.
Special	Moisture-proof design for temperature control of humidity rooms e.g. kitchens, warehouses or workshops. Due to the simple cleaning the controller is gladly used in kitchens or in pantrys in marine sector. C3: With the cable entry in the back wall the installation via flush-mounted boxes is possible.
Control function	1 continuous output with proportional function
Control signal	RWTA2/..., 2...10 Vdc, direction switchable Heating or cooling RWTB2/..., 0...10 Vdc, with signal limiter for minimum or maximum flap opening
Power supply	24 Vac/dc, or directly from suitable actuators and devices for example KH

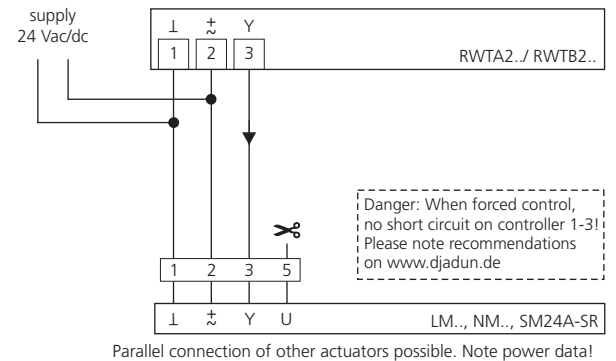
Order information

Item number	signal	range	Variant
RWTA2/21.5	2...10 Vdc	16...26 °C	internal adjustment, cable gland M20
RWTA2/0.50	2...10 Vdc	0...50 °C	internal adjustment, cable gland M20
RWTA2/21.5-C3	2...10 Vdc	16...26 °C	internal adjustment, with double membrane in back wall (M20)
RWTB2/21.5	0...10 Vdc	16...26 °C	internal adjustment, cable gland M20
RWTB2/0.50	0...10 Vdc	0...50 °C	internal adjustment, cable gland M20
RWTB2/21.5-C3	0...10 Vdc	16...26 °C	internal adjustment, with double membrane in back wall (M20)

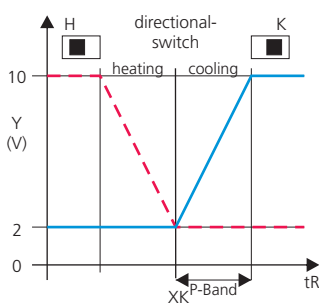
Connection diagram L., N., SM230ASR



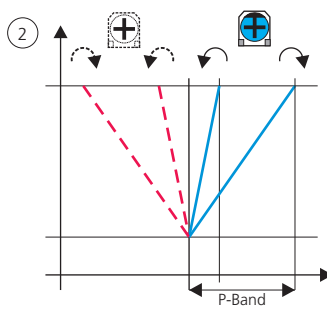
Connection diagram 24 V actuators



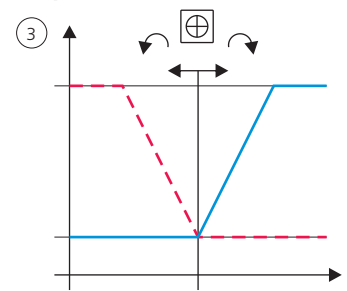
Function diagram RWTA2



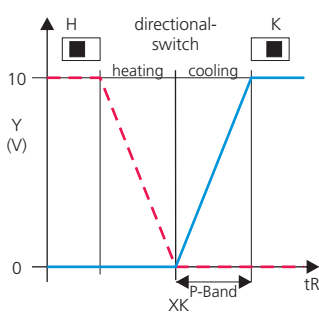
P-Band XP1



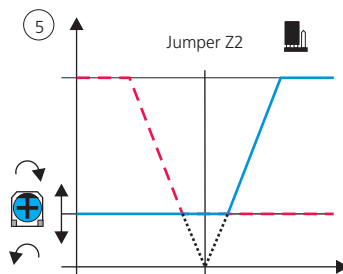
Setpoint correction SK



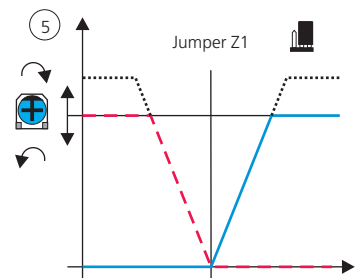
Function diagram RWTB2



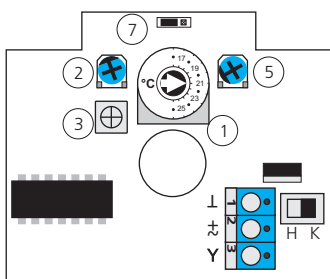
Min.-limiter RWTB2



Max.-limiter RWTB2



Circuit Board RWTA/B <ccb: A4084>



- ① Setpoint adjustment XK
- ② P-Band XP
- ③ setpoint or sensor correction
- ④ direction switch H / K
- ⑤ Min.-Max.-limitation Y-signal (only RWTB2..)
- ⑦ Jumper for Min./Max. (RWTB2..)

Dimensions

