



Abb. RSA2/0.40

## Temperature controller for switchboard mounting RSA2 / RSB2

continuous output with settable P-Band  
 for external sensor Djadun F../11  
 direction switchable, Heating or cooling (FS)  
 Housing: front frame 48 x 48 mm, circuit board in open construction

RSB2: with signal limiter for minimal or maximal flap opening

### Technical data

Electrical data	Power supply power consumption Output RSA2 Output RSB2	24 Vac/dc (21,6...26,4 V) < 1 VA 2...10 Vdc, max. 2 mA 0...10 Vdc, max. 2 mA, with signal limiter for minimum or maximum flap opening
Functions	Adjustment range Directional switch K / H Setpoint correction SK P-Band XP Temperature probe	see order information K = tR increases = Y increases, H = tR increases = Y decreases ±5 K, adjustable internally 1...8 K (factory setting FS 2 K) external temperature sensors Djadun (series F..11)
Safety	Protection type / class EMC CE conformity Ambient temperature ambient conditions Permitted relative humidity	IP42 in front of front frame, circuit board IP00 / III (SELV) EN 55011:2011-04, 55011-103:2013-02 according to 2014/30/EU operation 0...50 °C; storage -10...+70 °C normally air polluted max. 95% RH, no condensation
Mechanical	connection technology Housing Weight	screw terminal 2,5 mm <sup>2</sup> front frame 48 x 48 mm, ABS (black) about 55 g

### Product features

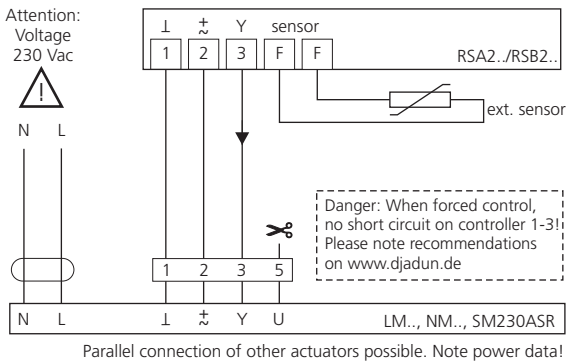
Application	For control of continuous actuators in HVAC systems.
Control function	1 continuous output with proportional function
Control signal	RSA2: 2...10 Vdc, direction switchable heating or cooling (FS) RSB2: 0...10 Vdc, with signal limiter for minimum or maximum flap opening
Power supply	24 Vac/dc, or direct by actuators for example N../L../SM230ASR, DM2.2

### Order information

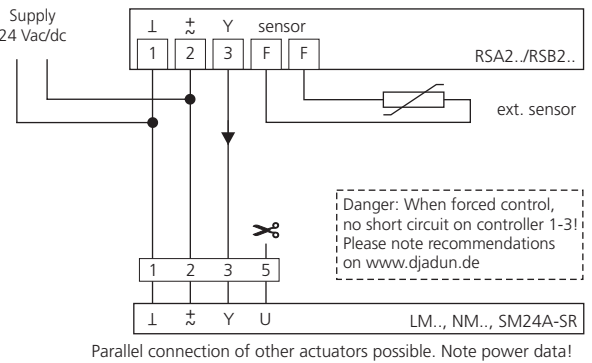
Item number	signal	range	Variant
RSA2/0.40	2...10 Vdc	0...40 °C	for external sensor
RSA2/20.80	2...10 Vdc	20...80 °C	for external sensor
RSA2/-20.40	2...10 Vdc	-20...+40 °C	for external sensor
RSA2/60.100	2...10Vdc	60...100 °C	for external sensor
RSB2/0.40	0...10 Vdc	0...40 °C	for external sensor
RSB2/20.80	0...10 Vdc	20...80 °C	for external sensor
RSB2/-20.40	0...10 Vdc	-20...+40 °C	for external sensor
RSB2/60.100	0...10 Vdc	60...100 °C	for external sensor

accessories	description
ZR-08 024009	Empty housing for the installation of RS.., for protected mounting for wall mounting, IP44
ZR-08 024019	protective housing for RS.. for mechanical protection of circuit board in control cabinet

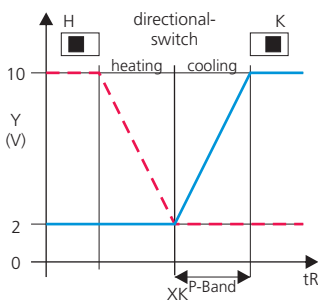
**Connection diagram L., N., SM230ASR**



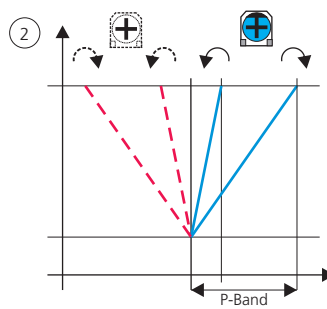
**Connection diagram 24 V actuators**



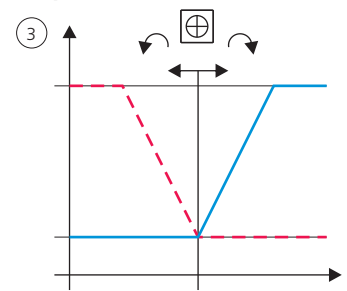
**Function diagram RSA2**



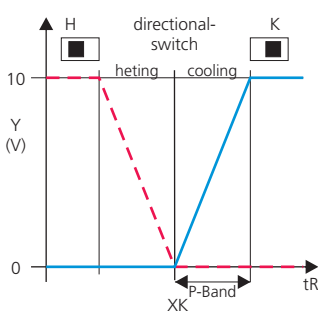
**P-Band XP**



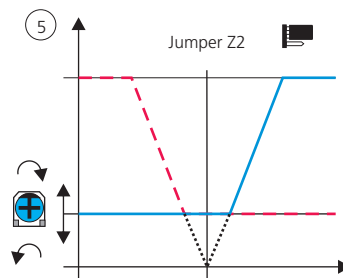
**Setpoint correction SK**



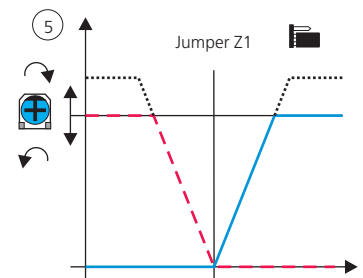
**Function diagram RSB2**



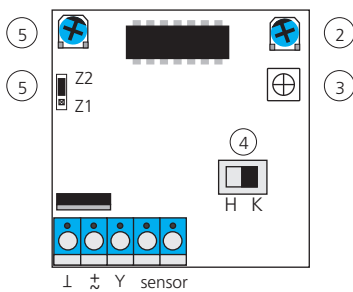
**Min.-limiter RSB2**



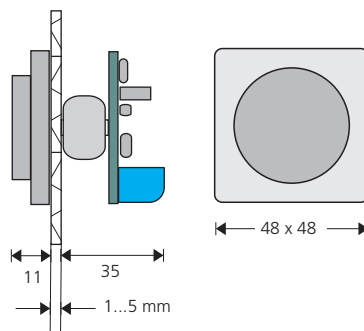
**Max.-limiter RSB2**



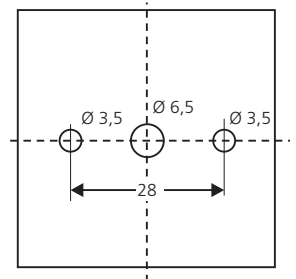
**Circuit Board <ccb: DJ-RS\_03>**



**Dimensions**



**Drilling plan**



- ① Setpoint adjustment XK
- ② P-Band XP
- ③ setpoint or sensor correction
- ④ direction switch H / K
- ⑤ Min.-Max.-limitation Y-signal (only RSB..)



- Remove adjustment knob
- Set stops to temperature range
- Replace adjustment knob
- Check stops