



Duct / Immersion Temperature Sensor FKT11

for all Djadun standard temperature controller
sensor in stainless steel sleeve

Typ.01 with aluminum flange for mounting in rectangular channels

Typ.02 with plastic mounting flange for installation in round ducts

Housing: 60 x 67 (87) x 37 (+TR) mm, IP65

Technical data

Temperature probe	Semiconductor sensor Sensor tube Medium temperature Ambient temperature	2000 ohm at 25 °C Stainless steel 1.4571, Ø 6 mm -40 °C...+120 °C -20 °C...+70 °C
Safety	Protection typ / class	IP65 / III
Mechanical	Connection technology Mounting Type.01 Mounting Type.02 Housing Weight	Screw terminals 1.5 mm ² Aluminum flange for mounting in rectangular channels plastic flange for mounting in round ducts PA 60 x 67 (87) x 37 (+IS) mm, white about 100 g

Product features

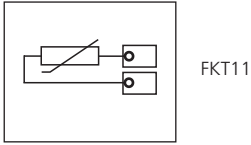
Application	For measurement of temperature in gaseous media (with mounting flange) or in liquid media (with accessory immersion sleeve ZB-THVA). Used as supply air or return air sensor in ventilation and air conditioning.
Special	The sensitive sensorelement is moisture-proof cast in a immersion sleeve of stainless steel. So the temperature sensor has a long life time also by corrosive media. Protection class IP65 by the integrated cable gland.
Mounting duct sensor	Attachment at the air duct with a mounting flange or direct by screws. The tip of the probe tube should be well circulated by the flow around medium that should be measured.
Immersion sensor	Can be used with the accessories ZB-THVA as immersion temperature sensor. To this, a threaded connection or a T-piece 1/2" has to be installed in the pipeline.

Order information

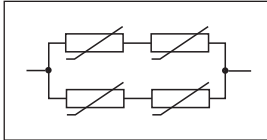
Item number	Variant
FKT11/150.01	Sensor tube length 150 mm, incl. aluminum flange for mounting in rectangular channels
FKT11/200.01	Sensor tube length 200 mm, incl. aluminum flange for mounting in rectangular channels
FKT11/300.01	Sensor tube length 300 mm, incl. aluminum flange for mounting in rectangular channels
FKT11/150.02	Sensor tube length 150 mm, incl. plastic flange for mounting in round ducts
FKT11/200.02	Sensor tube length 200 mm, incl. plastic flange for mounting in round ducts
FKT11/300.02	Sensor tube length 300 mm, incl. plastic flange for mounting in round ducts

Accessories	Model
ZR-MFA06	Aluminum flange (typ .01 already included)
ZR-MFK06	Plastic flange (typ .02 already included)
ZR-THVA150.01	Stainless steel immersion sleeve, length 150 mm (for use as an immersion probe), other lengthen on request
ZR-WLPO1	Thermally conductive paste, silicone-containing, tube 5 gr.
ZR-WLPO2	Thermally conductive paste, silicone free, syringe 5 gr.

connection diagram



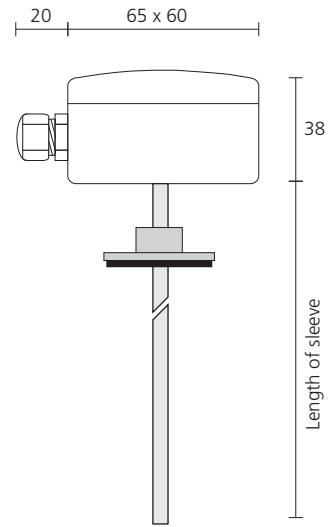
example averaging



Measured values

Temperature	Ohms	Temperature	Ohms
-20 °C	1385	35 °C	2157
-15 °C	1446	40 °C	2239
-10 °C	1508	45 °C	2322
-5 °C	1573	50 °C	2407
0 °C	1640	55 °C	2495
5 °C	1708	60 °C	2583
10 °C	1778	65 °C	2675
15 °C	1850	70 °C	2767
20 °C	1924	75 °C	2862
25 °C	2000	80 °C	2958
30 °C	2078	85 °C	3057

Dimensions



Accessories

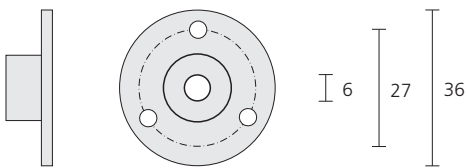
ZR-WLP01



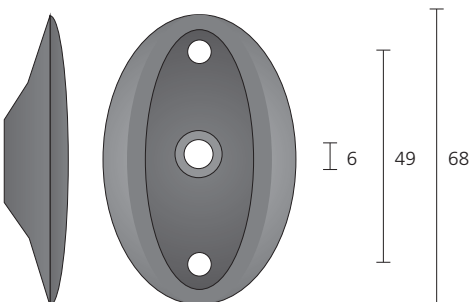
ZR-WLP02



Aluminum flange ZR-MFA06



Plastic flange ZR-MFK06



Stainless steel immersion sleeve ZR-THVA150.01

